

SELEC PANEL METERS VAF39 DIGITAL PANEL METERS



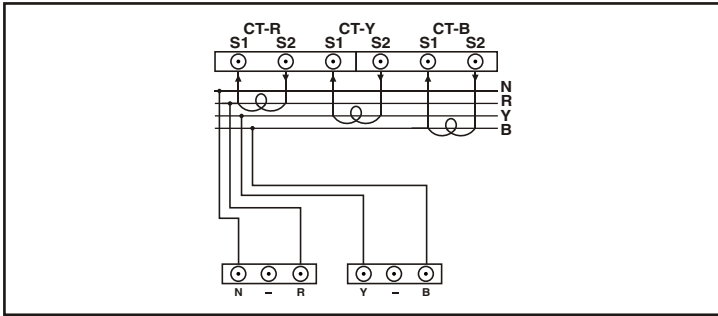
(96 x 96)

LED Voltage, Ampere, Frequency Meter

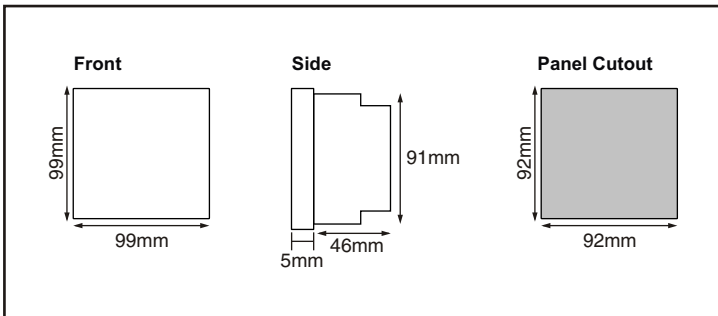
Ordering Information

VAF39

Terminal Connections



Dimensions (in mm)



Technical Specifications

Display	7 segment LED; Height: 0.5"
Digits	3 rows of 3 digits
Input Type	3 Ø-4 wire & 1 Ø - 2 wire
Rated Input Current	5A max.
Display Scrolling	Auto / manual
Resolution*	0.01, 0.1, 1 (depending on CT Primary)
Frequency	50/60 Hz
CT Primary	5 to 5000 programmable
Burden (max)	0.2 VA max per phase

ACCURACY TABLE

Parameters	Accuracy
Voltage V_{L-N}	$\pm 0.5\%$ of F.S. + ± 2 digit
Voltage V_{L-L}	$\pm 0.5\%$ of F.S. + ± 2 digit
Average Voltage V_{L-N}	$\pm 0.5\%$ of F.S. + ± 2 digit
Average Voltage V_{L-L}	$\pm 0.5\%$ of F.S. + ± 2 digit
Phase current I	$\pm 1\%$ of F.S. + ± 2 digit @50 Hz
Average current I_{avg}	$\pm 1\%$ of F.S. + ± 2 digit @50 Hz
Frequency	± 0.1 Hz

LED/Parameter Indication	LEDs for all measured parameters
Supply Voltage	90 to 270 VAC, (AC : 50 or 60 Hz)
Temperature	Operating: 0 to 50°C Storage: -20 to 75°C
Humidity (non-condensing)	85%
Weight	210 gms

* Resolution as per CT primary programmed.
**Accuracy of Class I for current input at 50 Hz.
Accuracy of Class II for current input at 60 Hz.